

NEW!

Marine Climate System Kit

Climate Control at the Touch of a Button



Dometic Marine Climate System Kit
15,000 BTU/hr Kit

Enjoy ideal temperatures in your boating environment year-round with Dometic's Marine Climate air conditioning systems. Choose from capacities of 5,000 or 15,000 BTU/hr to suit the size of your boat for ultimate cooling and heating comfort. All Marine Climate System models use R-417A refrigerant, an environmentally safe gas.

The Marine Climate System Kit includes everything needed for a professional installation on boats with or without an existing air conditioning system.

Marine Climate System units use high-velocity blowers that eliminate blower-motor overhang for a smaller installation footprint. For flexibility in connecting to ductwork, the blower is rotatable to either a horizontal or vertical position. The compact, space-saving design is contained in a stainless-steel drain pan, and the pre-installed return-air filter is easily removable and cleanable.

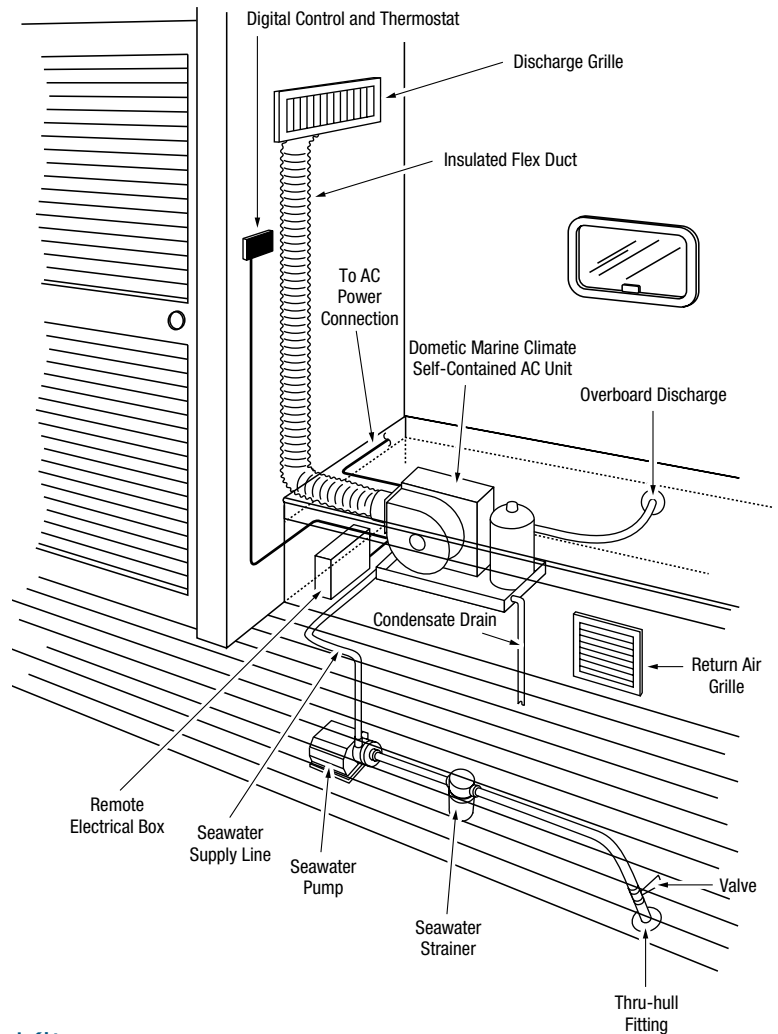
For system operation, Marine Climate System Kits include a compact Dometic digital-display control. For added installation convenience, the plastic electrical box can be mounted remotely.

Key Benefits

- Cools and heats.
- High velocity, rotatable blower for horizontal or vertical installation.
- Green gas (R-417A).
- Compact Dometic digital-display control.
- Plastic remote electrical box for convenience in mounting.
- Stainless-steel drain pan.
- Pre-installed return-air filter, easily removable and cleanable.
- Small, compact, space-saving design.
- Complete kit - All pieces, parts, and pumps (from seawater intake to supply-air grille).
- Optional dual-duct kit for 15K BTU/hr model (details on reverse side).
- Available capacities (in BTU/hr): 5,000 and 15,000.
- Replaces Cabin Mate.

Technical Specifications for Dometic Marine Climate 50Hz

Model	MCS05(50Hz)	MCS15 (50Hz)
Capacity (BTU/hr)	5,000	15,000
Capacity (Kcal/hr)	1260	3780
Capacity (kWatt/hr)	1.5	4.4
Power (Volt/Hz/Ph)	220/50/1	220/50/1
Full Load Amperage - Cool	2.2	5.7
Full Load Amperage - Heat	2.9	7.0
Locked Rotor Amperage	11	32
Refrigerant type	R-417A	R-417A
Control type	Dometic Digital Control	Dometic Digital Control
Dimensions (+/- 0.5" or 10mm)		
Height (in/mm)	11.25/290	13.5/340
Width (in/mm)	17.83/450	21.63/550
Depth (in/mm)	8.92/230	10.25/260
Min Grille Sizes (Area)		
Return (in ² /cm ²)	64/410	160/1030
Discharge (in ² /cm ²)	32/200	80/510
Min Duct Sizes		
Diameter (in/mm)	4/100	6/150
Connections (Outside Dimension)		
Sea Water - (in/mm)	0.625/16	0.625/16
Estimated Weight		
Net weight (ECD unit only) - lbs/kg	39.5/18.0	62.5/28.0
Ship weight (Entire kit) - lbs/kg	63.0/28.5	92.0/42.0



Dual-Duct Kit

For applications requiring an additional air outlet, Dometic's dual-duct kit is available for the Marine Climate System 15K BTU/hr model.

DOMETIC CORPORATION, ENVIRONMENTAL DIVISION

2000 N. Andrews Ave. Ext. | Pompano Beach, FL 33069 USA | 954-973-2477 | Fax 954-979-4414
P.O. Box 15299 | Richmond, VA 23227 USA | 804-746-1313 | Fax 804-746-7248
www.DometicEnviro.com | sales@DometicEnviro.com

United States & Canada Service Only:

8:00 AM to 5:00 PM Eastern Time | Marine Air AC Products: 954-973-2477
Cruisair AC Products: 804-746-1313

24/7 AC SERVICE HOTLINE: 5:00PM to 8:00 AM: 888-440-4494

International Sales & Service:

Europe & the Middle East: Call +44(0)870-330-6101
For all other areas visit our website to find your nearest distributor.

Dealer:



Dometic
THE SIGN OF COMFORT